

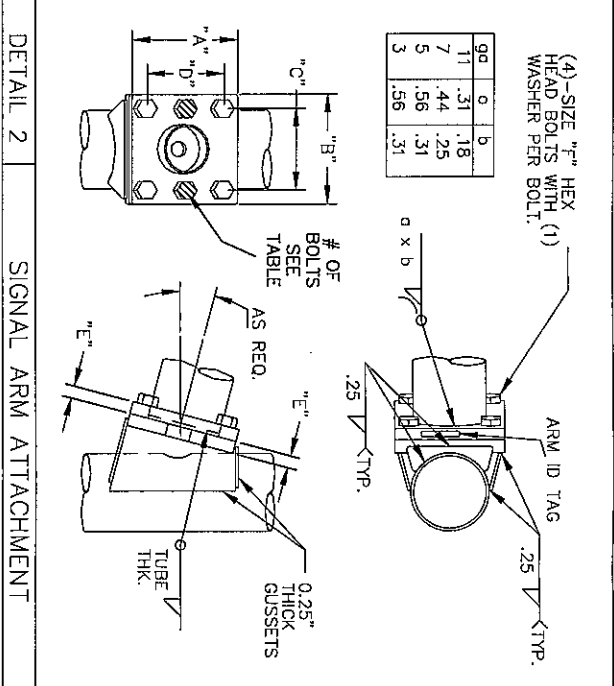
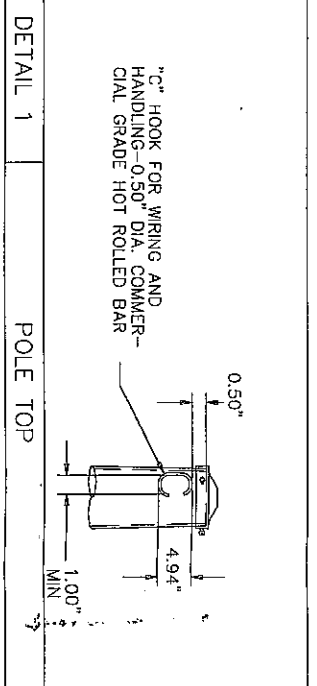
MATERIAL DATA

COMPONENT	ASTM DESIGNATION	MIN YIELD (KSI)	COMPONENT	ASTM DESIGNATION	MIN YIELD (KSI)
POLE SHAFT - 3.5, 7.1 GA.	A595 GRA	55	ARM CONN. BOLTS	A325	
POLE SHAFT - ALL OTHERS	A572 GR55	55	ARM CONN. BOLTS	A153	
POLE BASE	A36	36	ARM CONN. BOLTS	A123	
ARM SHAFT - 3.5, 7.1 GA.	A595 GRA	55	FINISH: TOIC POLYESTER POWDER OVER GALVANIZED. COLOR= SEMI GLOSS BLACK		
ARM SHAFT - ALL OTHERS	A572 GR65	65			
ARM CONNECTION	A36	36			

SECTION A-A

POLE TUBE

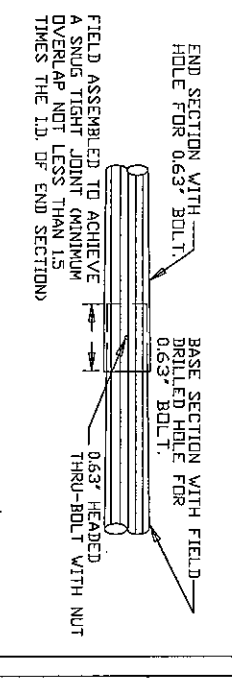
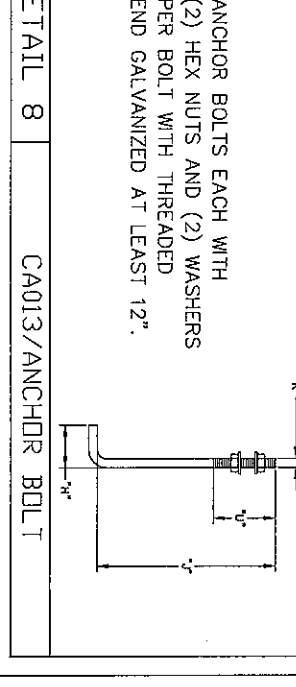
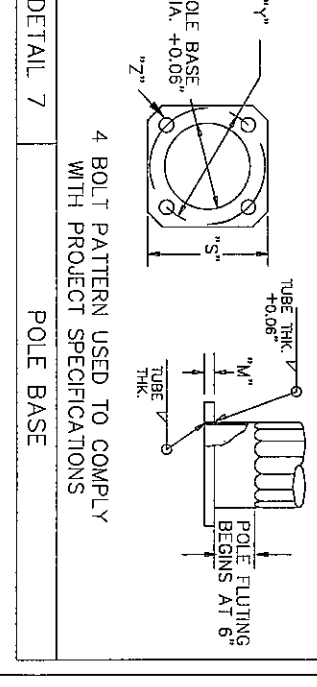
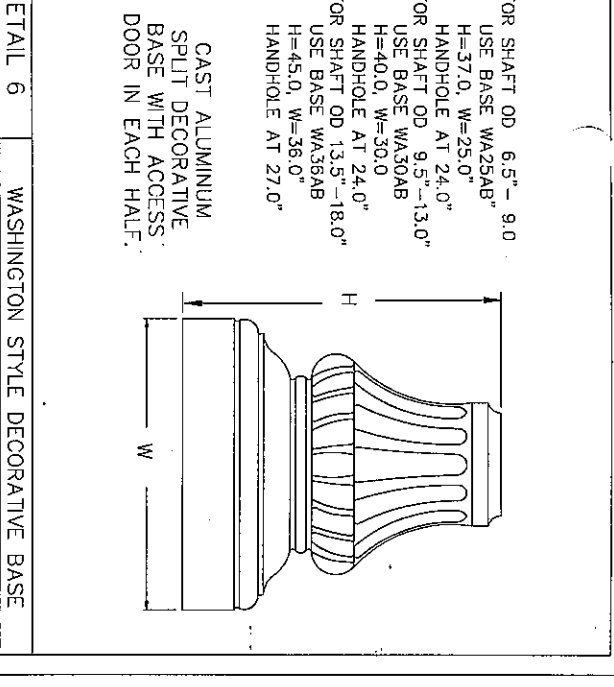
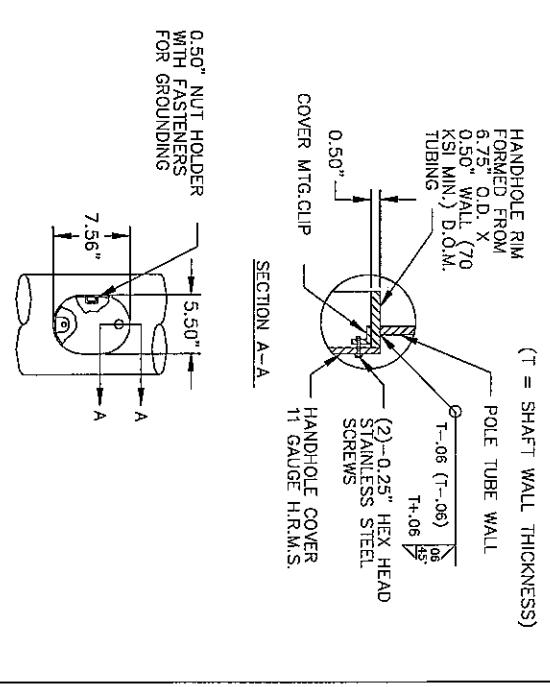
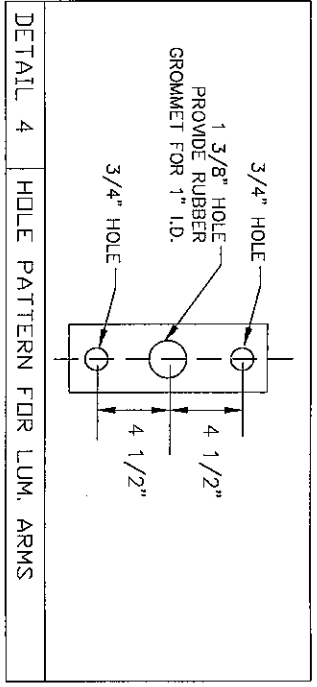
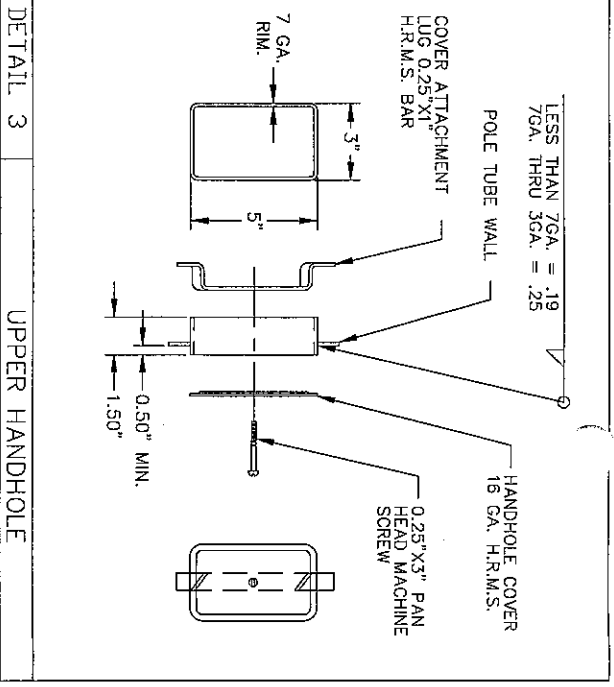
ITEM	BASE DIA (IN)	TOP DIA (IN)	LENGTH (FT)	GAUGE OR THICK (IN)	PLATE DIA (IN)	BOLT CIRCLE DIA (IN)	THK (IN)	HOLE DIA (IN)	DIA (IN)	LENGTH (IN)	HOOK DIA (IN)	THREAD LENGTH (IN)	FIXED END DIA (IN)	FREE END DIA (IN)	GAUGE OR THICK (IN)	SEC LGTH (FT)	ARM SPAN (FT)	ORIENT (DEG)	ATTACH HEIGHT (FT)
6274-1-1	12.5	10.19	16.5	.209	17.5	16.50	1.50	1.75	1.50	54	6	10	10.00	5.80	0.2391	30.0	30.0	180	15.0
6274-1-2	15.0	12.69	16.5	.219	21.0	20.00	1.75	2.00	1.75	84	6	10	12.50	6.90	0.209	40.0	40.0	180	15.0
6274-1-3	15.5	13.19	16.5	.250	21.0	20.00	1.75	2.00	1.75	84	6	10	13.00	8.80	0.2391	30.0	45.0	180	15.0
6274-1-4	17.0	14.69	16.5	.250	23.0	22.00	2.00	2.25	2.00	84	6	10	13.74	11.28	0.250	17.57	55.0	180	15.0



SIGNAL ARM ATTACHMENT DATA

POLE BASE DIA.	"A"	"B"	"C"	"D"	"E"	"F"
12.50"	16.25"	15.00"	11.00"	12.25"	1.50"	1.50" X 3.50"
15.00"	17.75"	17.00"	13.00"	13.50"	2.00"	1.50" X 4.50"
17.50"	21.00"	21.00"	17.25"	17.25"	2.00"	1.50" X 4.50"

THE ABOVE FLANGES USE 4 BOLT PATTERN
THE ABOVE FLANGE USE 6 BOLT PATTERN



ROBERT L. HANITZ
PROFESSIONAL ENGINEER
No. 016449

Valmont
Valley NE 68064 POLES
402-359-2201

CITY OF SUFFOLK
FOR TRAFFIC SIGNAL POLES
DECORATIVE

6274-1