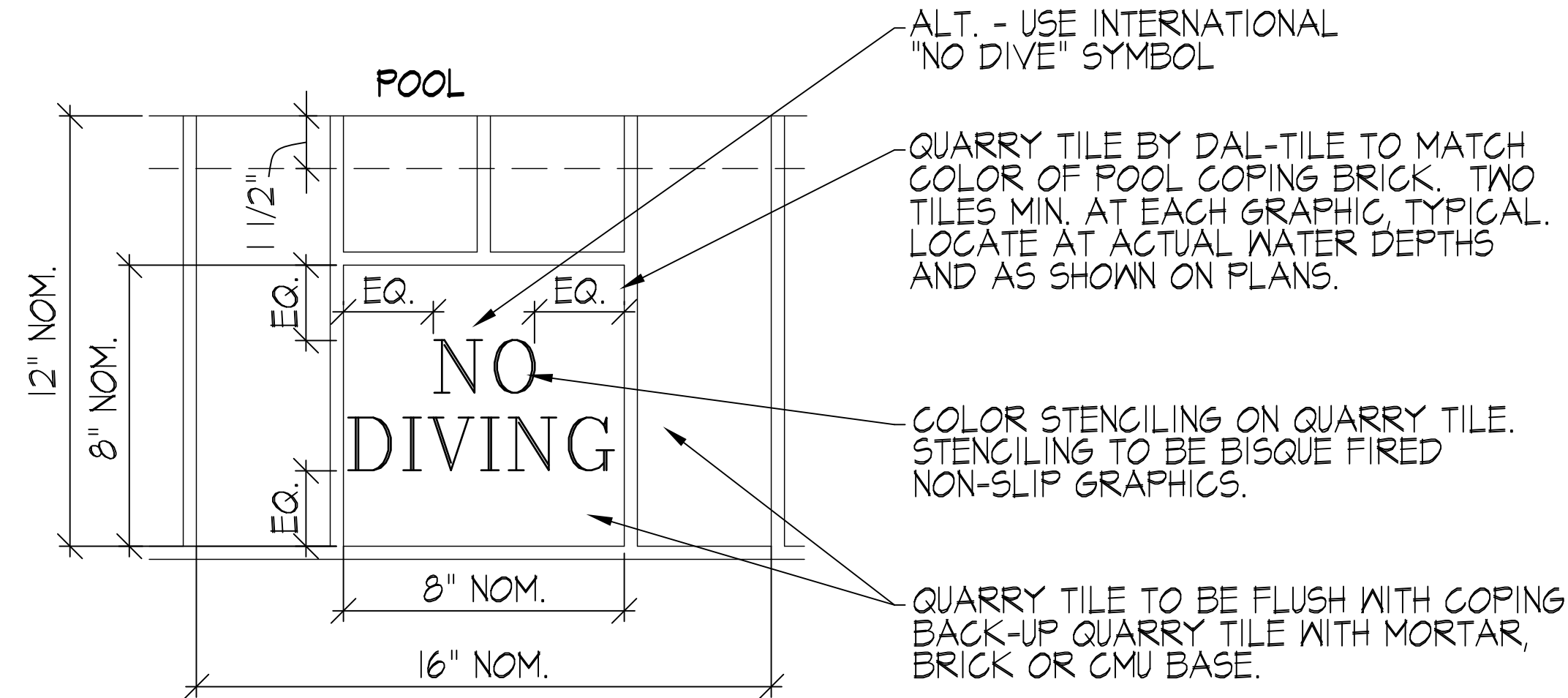


Ref: E

NOTE:
REPLACE DECK MOUNTED GRAPHIC



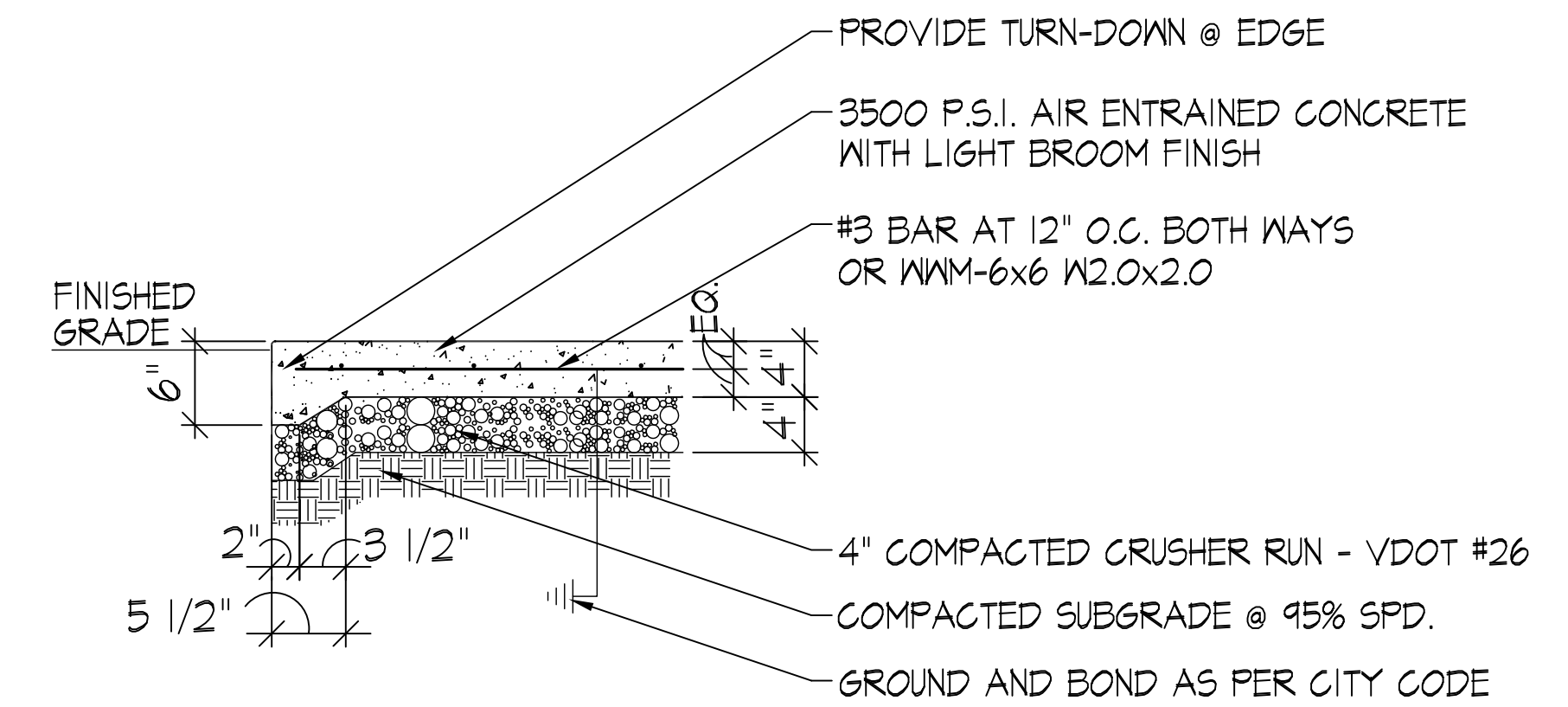
ALT. - USE INTERNATIONAL "NO DIVE" SYMBOL

QUARRY TILE BY DAL-TILE TO MATCH COLOR OF POOL COPING BRICK. TWO TILES MIN. AT EACH GRAPHIC. TYPICAL. LOCATE AT ACTUAL WATER DEPTHS AND AS SHOWN ON PLANS.

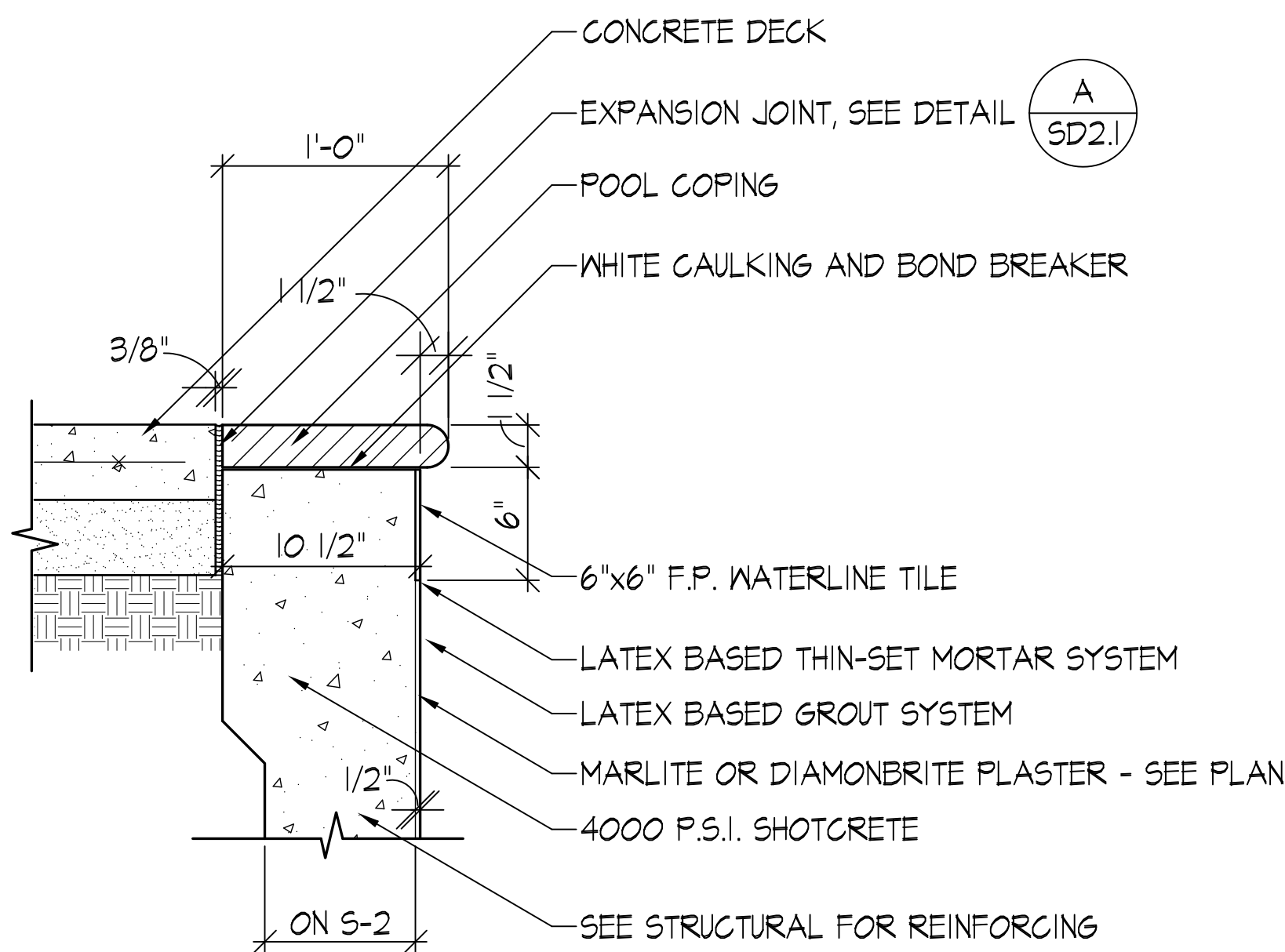
COLOR STENCILING ON QUARRY TILE. STENCILING TO BE BISQUE FIRED NON-SLIP GRAPHICS.

QUARRY TILE TO BE FLUSH WITH COPING. BACK-UP QUARRY TILE WITH MORTAR, BRICK OR CMU BASE.

F NO DIVE MARKER
ELEVATION SCALE: FULL

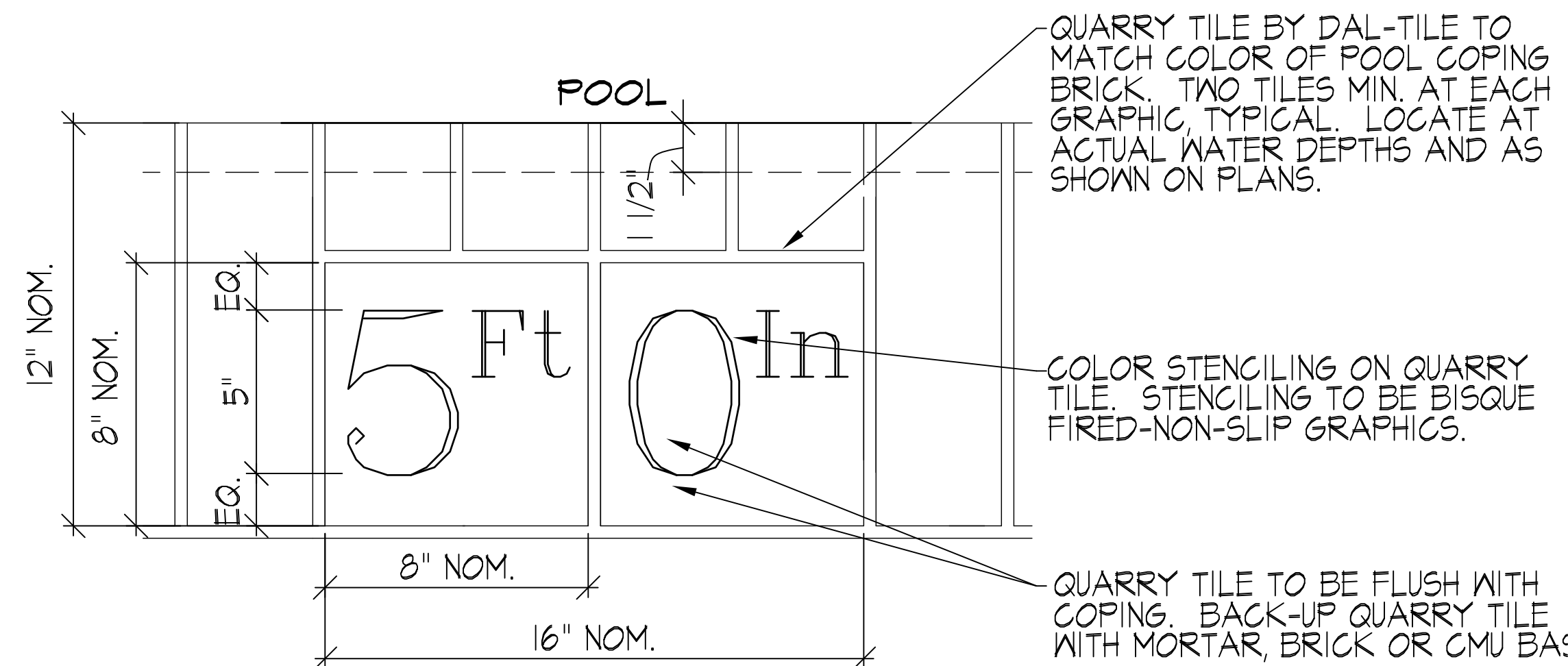


C CONCRETE DECK
SECTION SCALE: FULL



H PLASTER POOL FINISH
ELEVATION SCALE: 1"=1'-0"

NOTE:
REPLACE DECK MOUNTED GRAPHIC

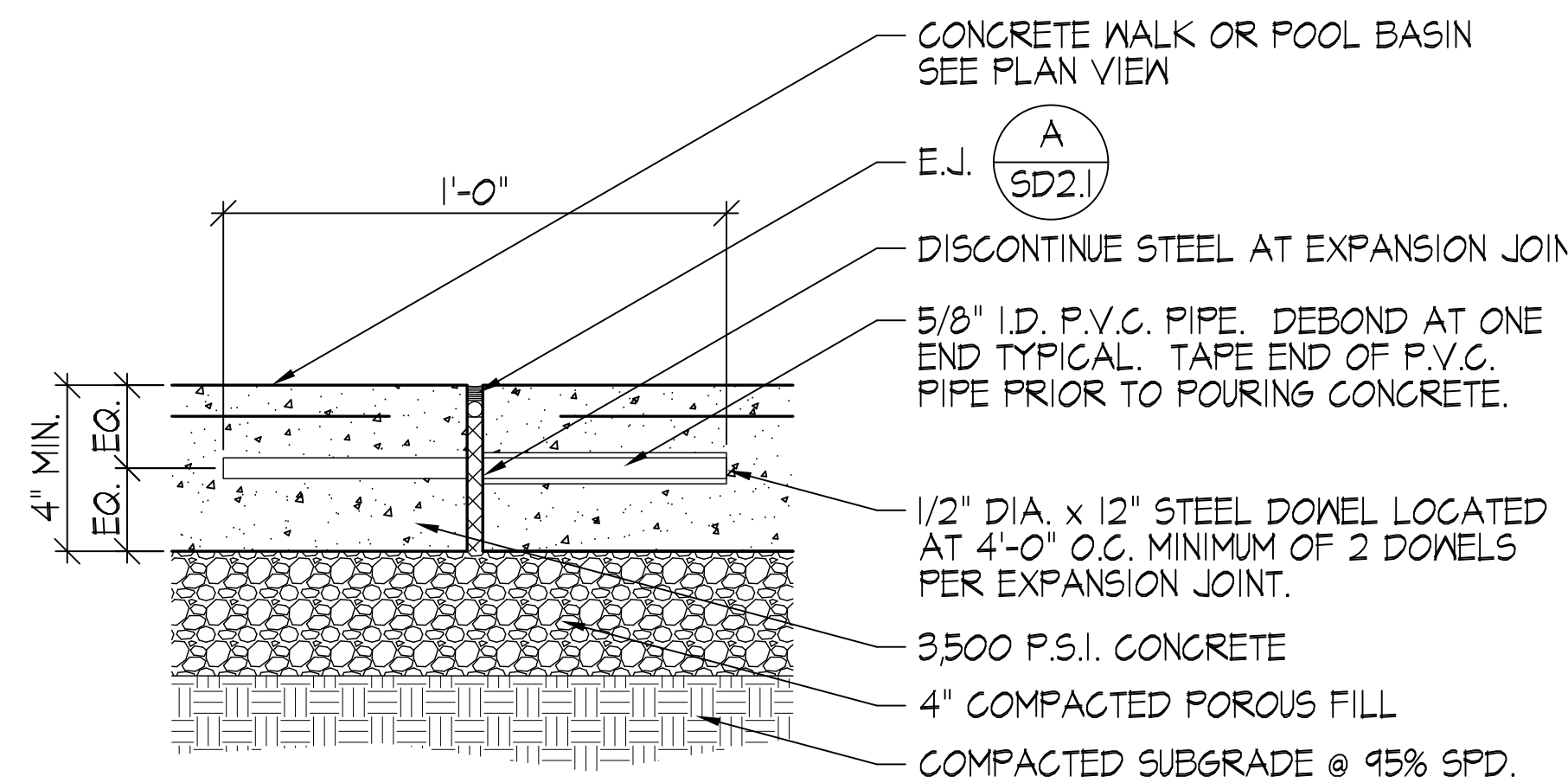


QUARRY TILE BY DAL-TILE TO MATCH COLOR OF POOL COPING BRICK. TWO TILES MIN. AT EACH GRAPHIC. TYPICAL. LOCATE AT ACTUAL WATER DEPTHS AND AS SHOWN ON PLANS.

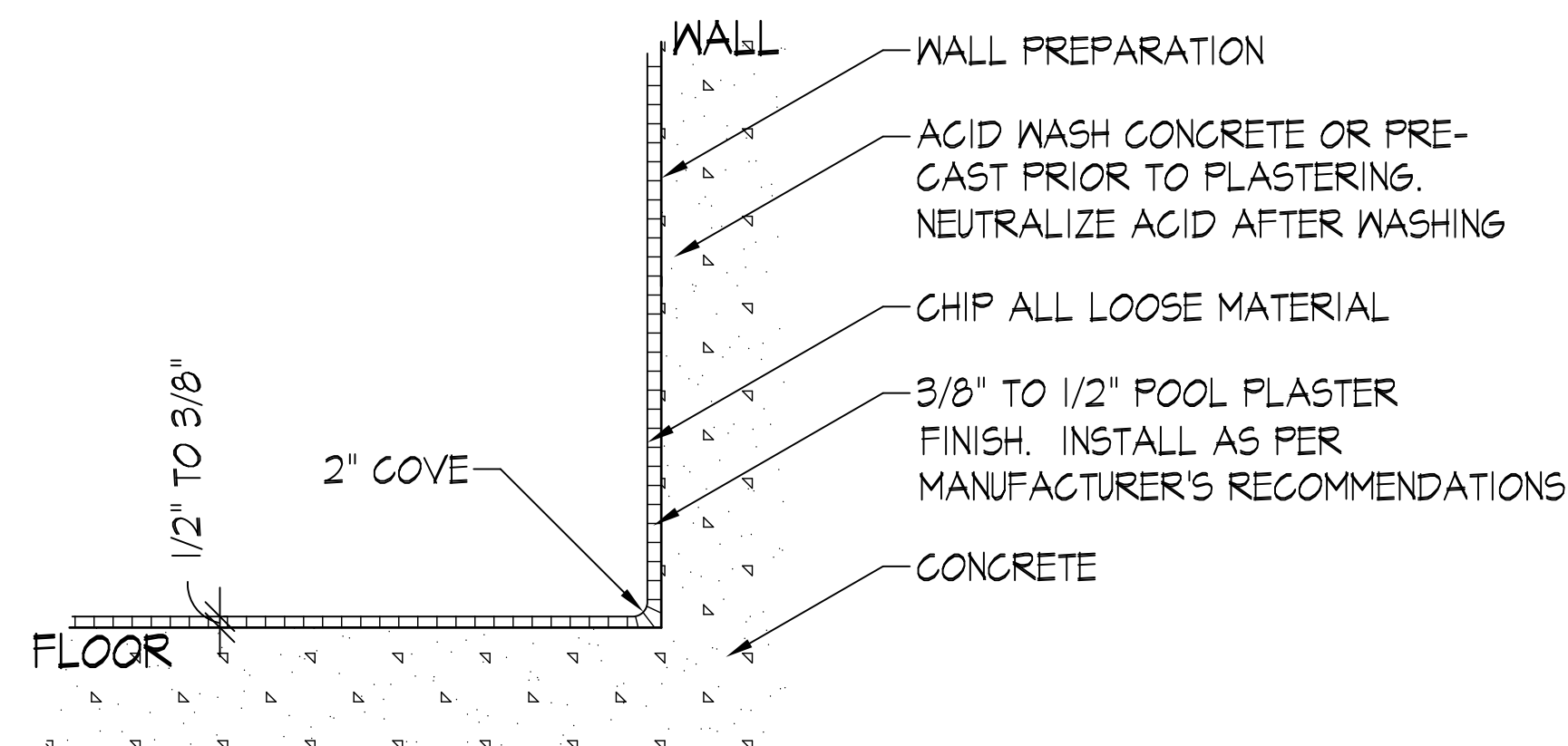
COLOR STENCILING ON QUARRY TILE. STENCILING TO BE BISQUE FIRED-NON-SLIP GRAPHICS.

QUARRY TILE TO BE FLUSH WITH COPING. BACK-UP QUARRY TILE WITH MORTAR, BRICK OR CMU BA:

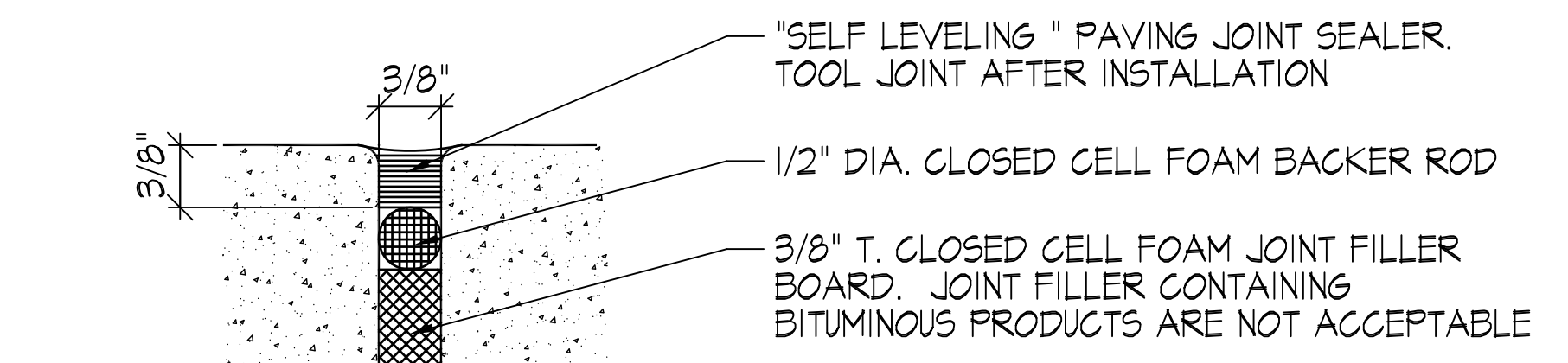
D DEPTH MARKER
ELEVATION SCALE: FULL



B EXPANSION JOINT
SECTION SCALE: FULL



G PLASTER POOL FINISH
ELEVATION SCALE: 1"=1'-0"



A EXPANSION JOINT
SECTION SCALE: FULL