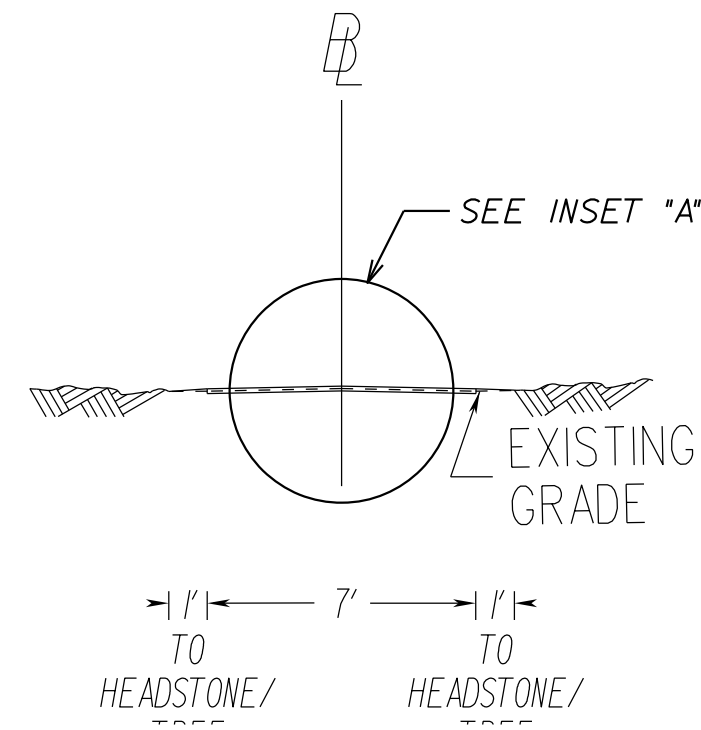
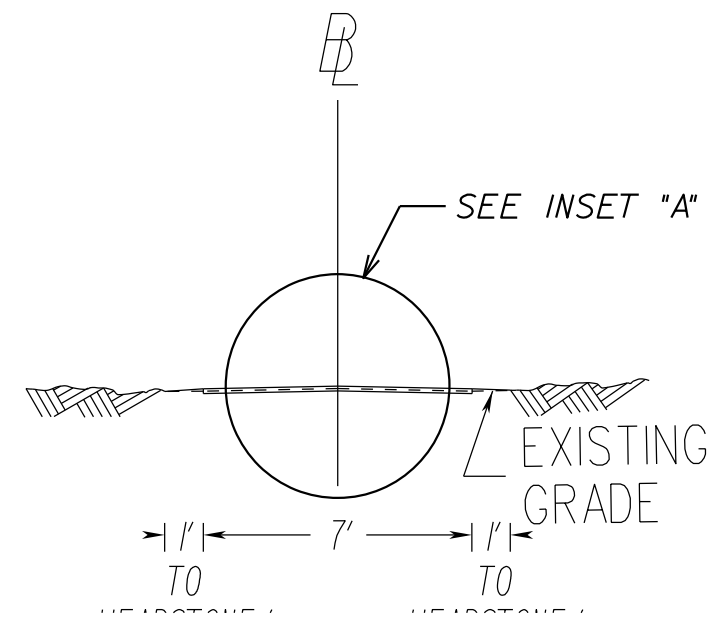


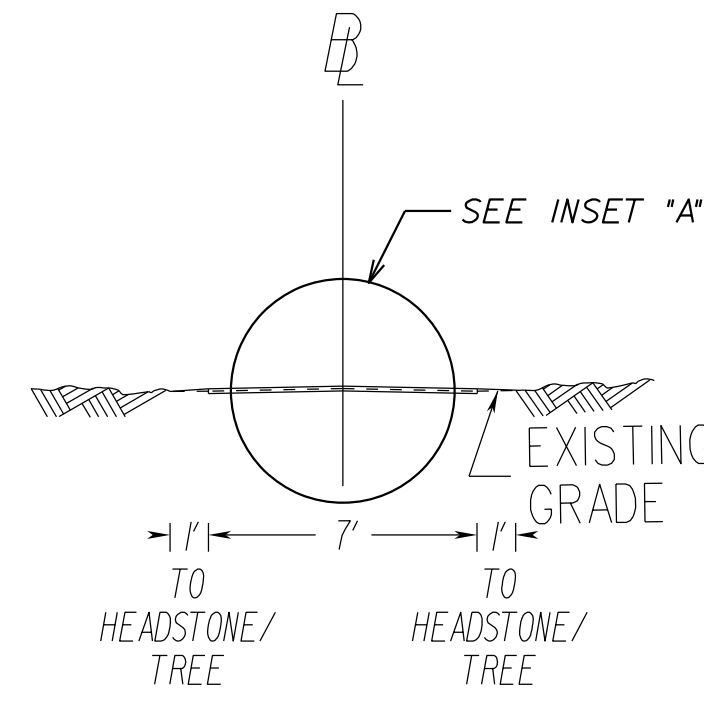
Fifth Avenue



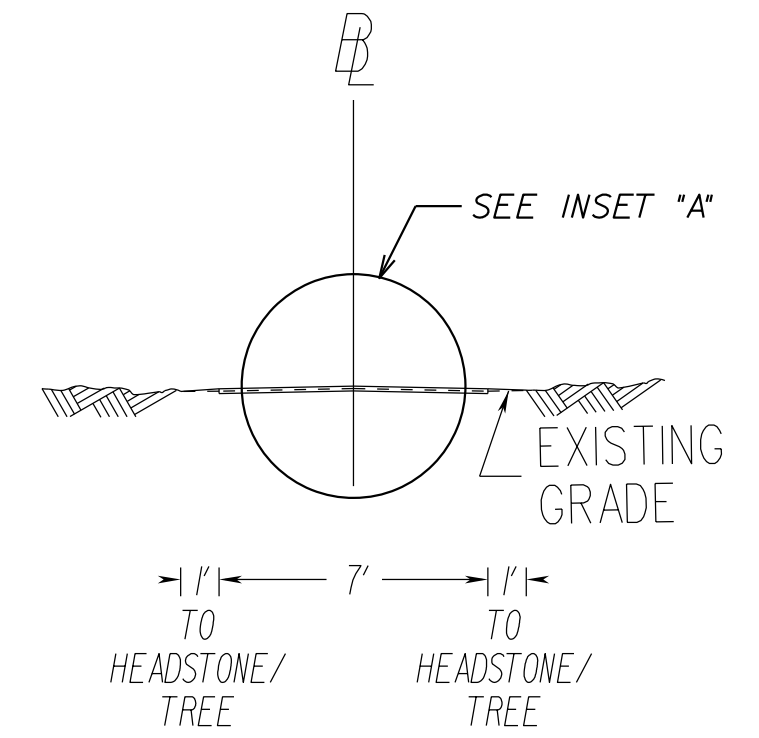
Eighth Avenue



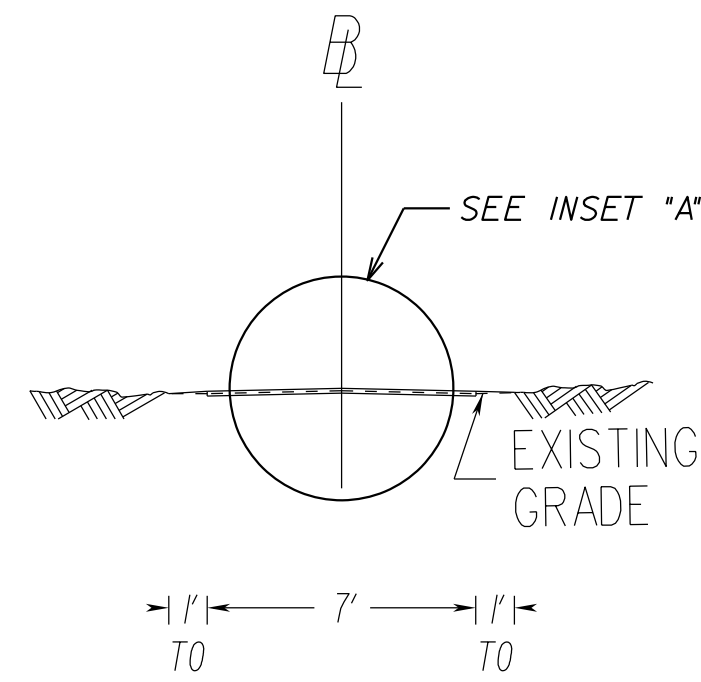
Eleventh Avenue



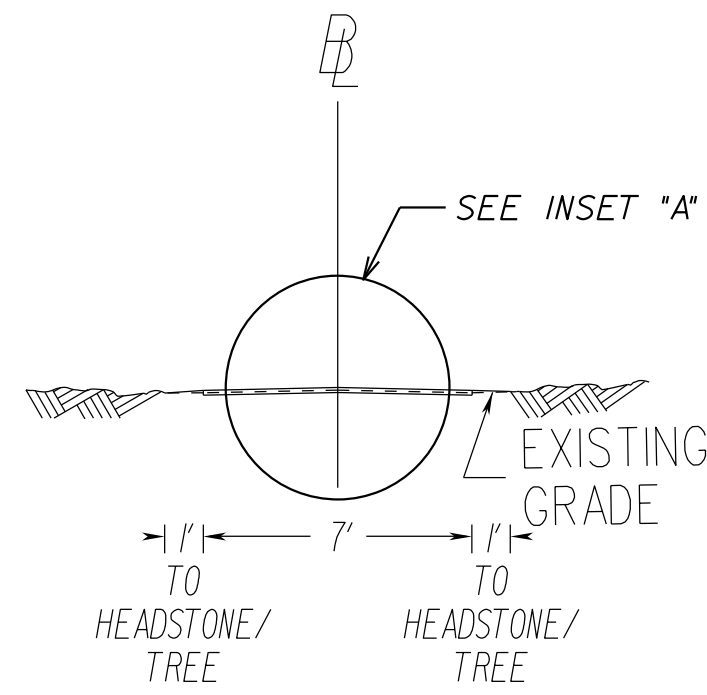
Maple Street



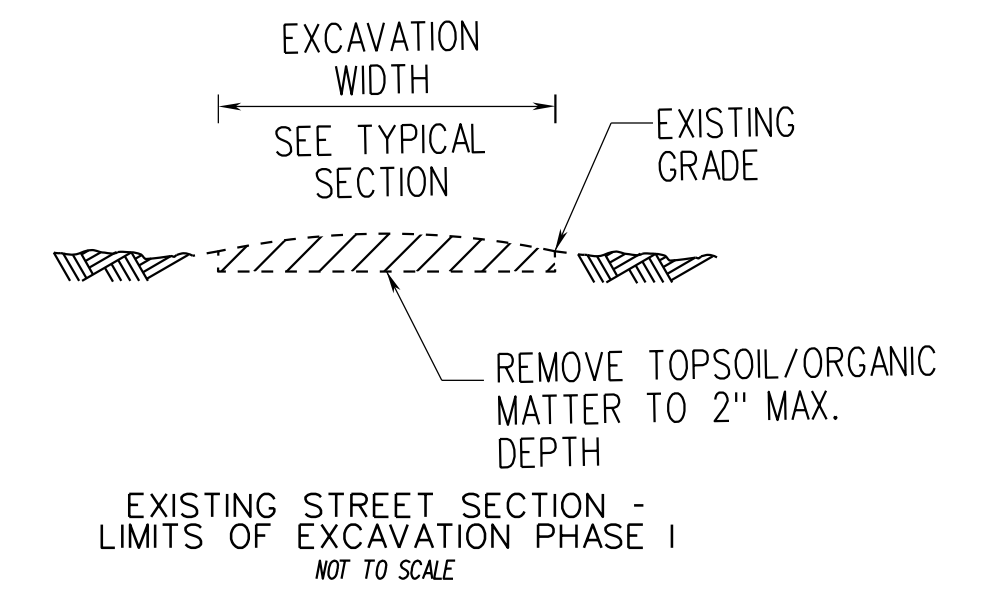
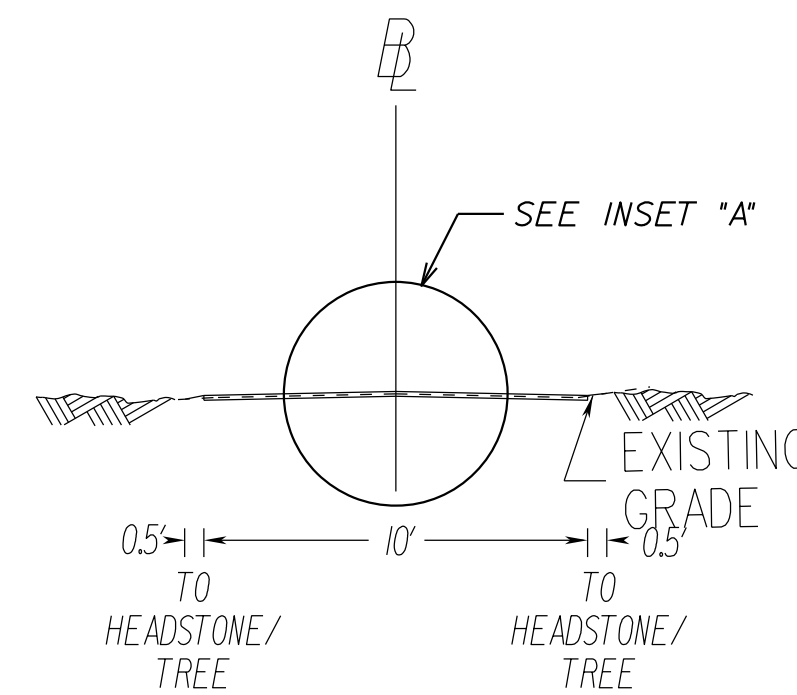
Sixth Avenue



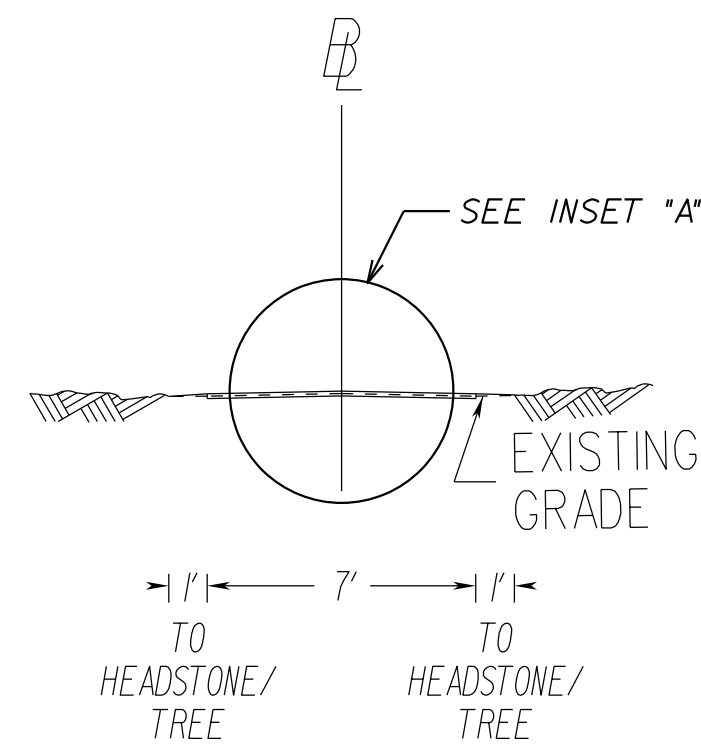
Ninth Avenue



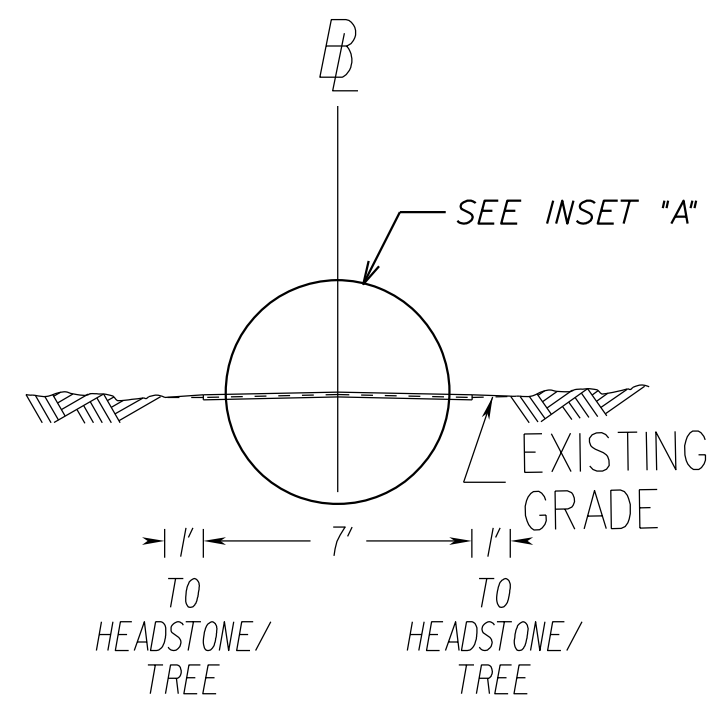
Twelfth Avenue



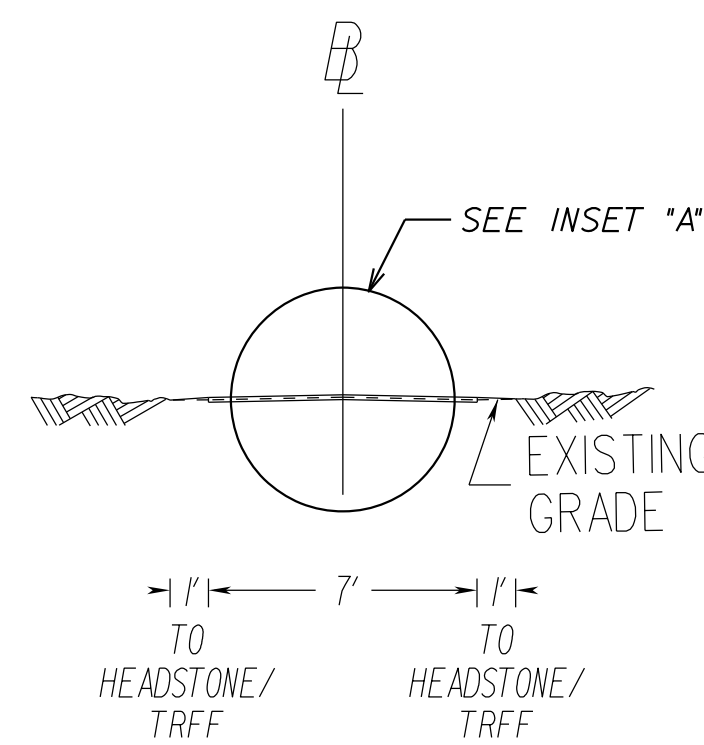
Seventh Avenue



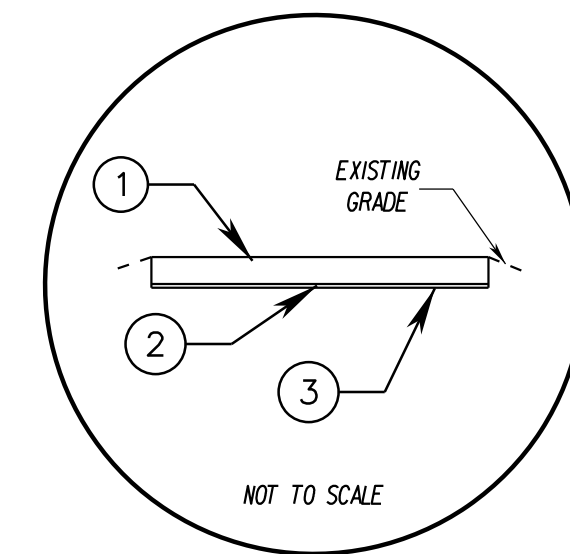
Tenth Avenue




Willow Street



INSET A



- PAVEMENT LEGEND
- 2.0" MAX. CRUSHER RUN AGGREGATE OR RECLAIMED ASPHALT PAVEMENT BASE MATERIAL
 - NON-WOVEN GEOTEXTILE FABRIC
 - COMPACT FINAL GRADE

	CITY OF SUFFOLK DEPARTMENT OF PUBLIC WORKS		SHEET NO.
	CEDAR HILL CEMETARY PHASE 2		
	CITY PROJECT MANAGER H. GABRIEL	DRAWN BY JLR	
	DATE 03/03/2020	DESIGNED BY JLR	
		APPROVED BY SBE	